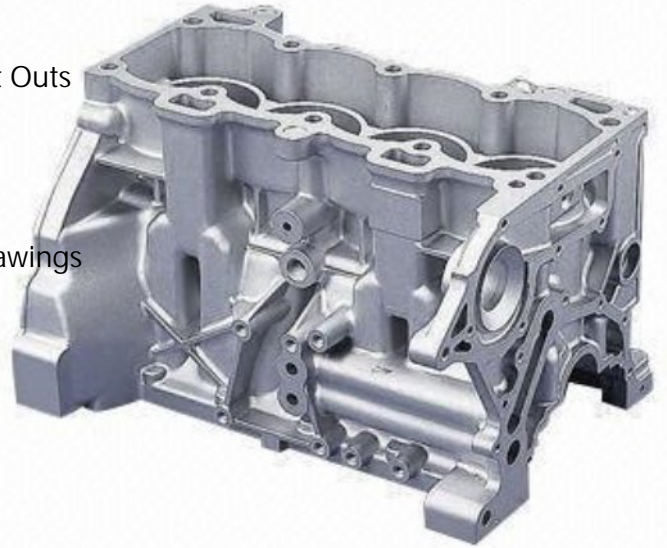


# Solidworks for Casting/Forging Industry

## Critical Business Issue's (CBI) encountered by this Industry based on 3D Mechanical CAD

- Quick and Updates BOM
- Standardization on Part/Assembly/Drawings
- Customized Library of Hardware and Bought Outs
- Large Assembly Management
- Accurate Weight
- Animation of Product Behavior
- Readable Fabrication/Machining/Casting Drawings
- CAD File Handling Issue's
- 2D to 3D Conversions
- Service Manual /Product Cataloged
- Interference Detection
- Parametric Design
- Complex Shapes
- Parting Lines
- Core & Cavity
- Draft Angle
- GD&T and Machining Symbol and Notes
- Material Library



## To resolve all above Problems Following Training is proposed

- ✓ Solidworks Modeling
- ✓ Solidworks Assembly
- ✓ Solidworks Drawings
- ✓ Design Automation for Standardization
- ✓ Solidworks Animation
- ✓ 2D to 3D Conversions
- ✓ Solidworks Composer for Service Manual
- ✓ Solidworks ToolBox (Hardware) Configuration
- ✓ Solidworks Surfacing
- ✓ Solidworks Mold Design
- ✓ Solidworks Rendering for Sales and Marketing
- ✓ Solidworks Parametric Approach